

客 户

CUSTOMER \_\_\_\_\_

# 承 认 书

## SPECIFICATION FOR APPROVAL

客 户 编 号

CUSTOMER PART NO: \_\_\_\_\_

品 名 编 号

DESCRIPTION NO. RFA915-12R40-C1

提 出 日 期

PRESENT DAY : 2014-07-01

出 图 DRAWING			客 户 承 认 CUSTOMER APPROVE
发 行 MADE	检 查 CHECKED	承 认 APPROVED	
Dence	Boby	Henry	
DATE: 2014.07.01			DATE:

**深圳市铨顺宏科技有限公司**

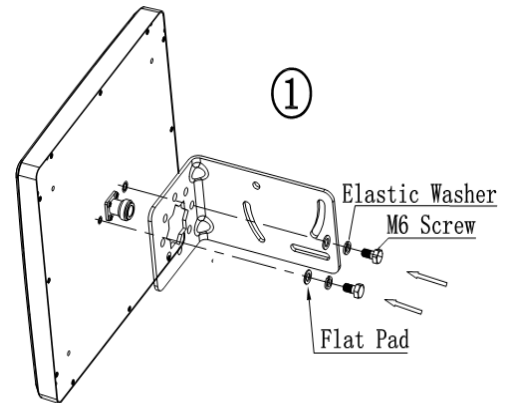
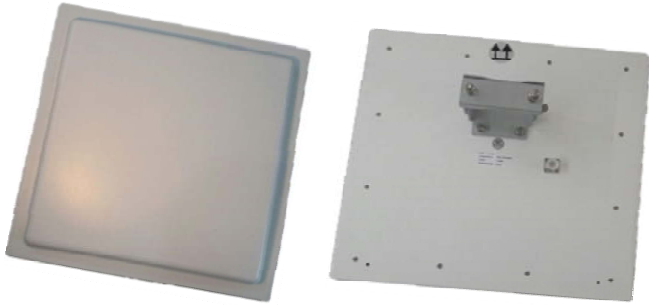
ShenZhen Fuwit Technology Co., Ltd.

表单编号: ST-R03-10

# PRODUCT SPECIFICATION

RFA915-12R40-C1 is a combines high gain with wide 40° beamwidth right circular pannel antenna , Applied to RFID

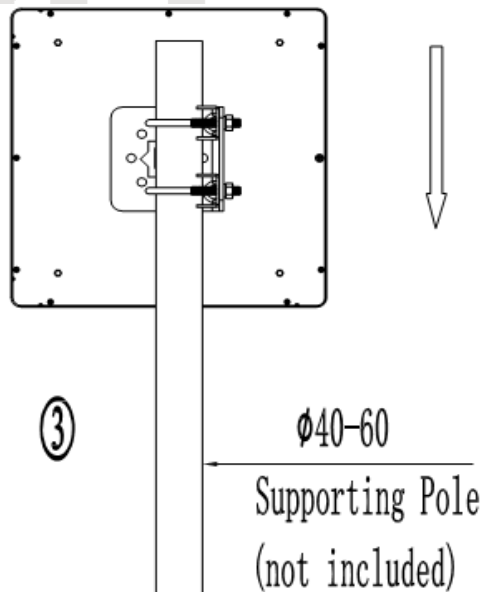
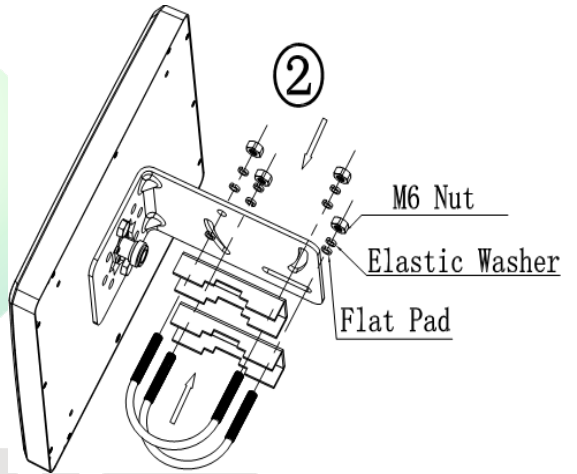
## Mounting diagram



- Wide 40° Horizontal Beamwidth
- RoHS Compliant
- IP65 Waterproof Level

## Electrical

Model	RFA-915-12R40
Frequency Range	902-928MHz
Gain	12dBi
VSWR	≤1.5
3dB Beam-Width, H-Plane	40°
3dB Beam-Width, E-Plane	40°
Polarization	Right circular
Axial Ratio	<2
Front to Back Ratio	≥20 dB
Maximum Input Power	100 Watt
Impedance	50 Ω
Lightning Protection	DC Grounded



## Mechanical

Connector	N-K
Antenna Dimension	450×450×40 mm
Weight	2.5KG/ 3.0KG
Radome Material	UV ABS
Mounting Mast Diameter	Ø40~Ø60 mm
Operating Temperature	-40° C to +65° C
Rated Wind Velocity	216km/h